

Ecophon Akusto™ Wall C

For use as wall absorbers together with a sound absorbing ceiling, to achieve excellent acoustic properties in the room. Ecophon Akusto™ Wall C has a concealed grid and the bevelled edges create a narrow groove between each panel. The system provides extensive design possibilities.

The systems consist of Ecophon Akusto™ Wall C panels and Connect™ profile systems with an approximate weight of 5 kg/m². The panels are manufactured from high density glass wool. The visible surface has a glass fibre fabric (Texona) or an impact resistant glass fibre fabric (Super G™), and is also available with a painted surface (Akutex™ FT). The back of the panel is covered with glass tissue. The edges are painted, and the front surface is partly covering the long

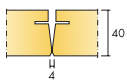
edges.

For best performance and system quality, use Connect™ profiles and accessories, which gives a lot of design possibilities. The profiles are manufactured from extruded aluminium.



Kliniken Maria Hilf, Mönchengladbach, Germany

SYSTEM RANGE



| | |
|------------------|--|
| Size, mm | 2700x600 |
| Thinline Profile | • |
| WP Profile | • |
| Thickness (THK) | 40 |
| Inst. Diagr. | M354, M356, M355, M235, M303 |



Akusto Wall C



Section of Akusto Wall C System



Akusto Wall C system with Connect WP profile and external corner



Wall Panel C system with Connect WP profile and external corner

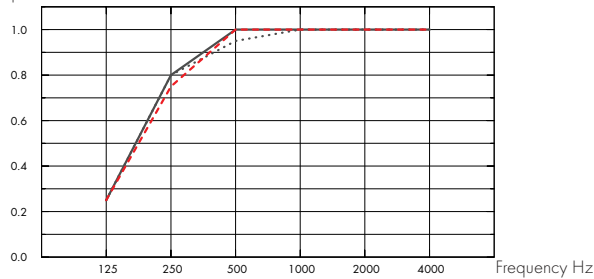


Acoustic

Sound Absorption:

Test results according to EN ISO 354. Classification according to EN ISO 11654, and the single value ratings for Noise Reduction Coefficient, NRC and Sound Absorption Average, SAA according to ASTM C 423.

α_p Practical sound absorption coefficient



... Akusto Wall C Akutex FT 40 mm, 50 mm o.d.s.

– Akusto Wall C Texona 40 mm, 50 mm o.d.s.

--- Akusto Wall C Super G 40 mm, 50 mm o.d.s.

o.d.s = overall depth of system

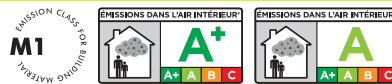
| | THK mm | o.d.s. mm | α_p Practical sound absorption coefficient | | | | | | α_w | Sound absorption class |
|-----------|--------|-----------|---|--------|--------|---------|---------|---------|------------|------------------------|
| | | | 125 Hz | 250 Hz | 500 Hz | 1000 Hz | 2000 Hz | 4000 Hz | | |
| Akutex FT | 40 | 50 | 0.25 | 0.80 | 0.95 | 1.00 | 1.00 | 1.00 | 1.00 | A |
| Texona | 40 | 50 | 0.25 | 0.80 | 1.00 | 1.00 | 1.00 | 1.00 | 1.00 | A |
| Super G | 40 | 50 | 0.25 | 0.75 | 1.00 | 1.00 | 1.00 | 1.00 | 1.00 | A |

| THK mm | AC(1.5) Articulation Class, ASTM E1111, ASTM E1110 |
|--------|---|
| 40 | 240 |



Indoor Air Quality

| Certificate / Label | Akutex FT | Super G | Texona |
|---------------------|-----------|---------|--------|
| French VOC, A+ | • | | • |
| French VOC, A | | • | |
| Finnish M1 | • | • | • |



Circularity

Fully recyclable.



Fire safety

| Country | Standard | Class |
|---------|------------|----------|
| Europe | EN 13501-1 | A2-s1,d0 |

The glass wool core of the tiles is tested and classified as non-combustible according to EN ISO 1182.



Humidity Resistance

Class A, relative humidity 70% and 25°C, according to EN 13964:2014



Visual appearance

Akusto Wall in white has high light reflectance. Light reflectance and nearest NCS colour sample for all the different colours: See Ecophon Colours and surfaces.



Cleanability

Daily dusting, vacuum cleaning and weekly wet wiping (Super G and Akutex FT surfaces). Weekly dusting and vacuum cleaning (Texona surface).



Accessibility

The tiles are not demountable except in selected installation diagrams. See quantity specification for more information.



Installation

Installed according to installation diagrams, installation guides and drawing aid. For information regarding minimum overall depth of system see quantity specification. The systems should not be placed behind goals or similar areas where they frequently will be hit by hard ball shots. In such cases a protective net in front of the system is recommended.



Mechanical properties

No additional live load is allowed.



Impact Resistance

| Surface | M-sketch | Class |
|---------|----------|----------|
| Super G | M354 | Fulfills |

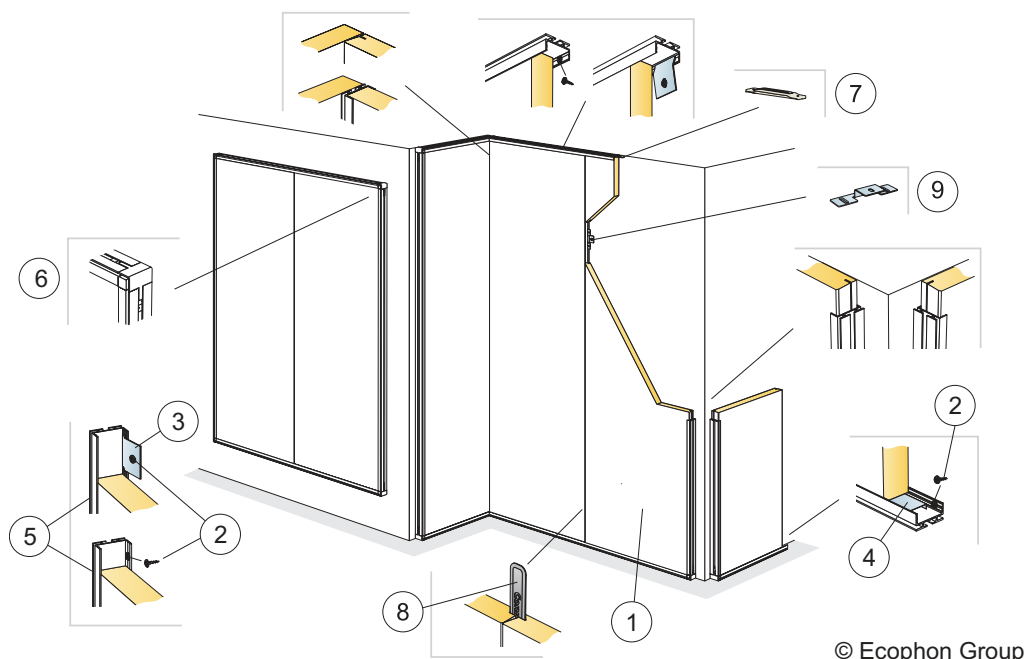
Tested and classified according to EN 13964 annex D and fulfills the demands corresponding to DIN 18032 part 3.



CE

Ecophon ceiling systems are CE marked according to the European harmonized standard EN13964:2014. CE marked construction products are covered by a Declaration of Performance (DOP) which enables customers and users to easily compare performance of products available on the European market.

INSTALLATION DIAGRAM (M354) FOR ECOPHON AKUSTO WALL C VERTICAL INSTALLATION

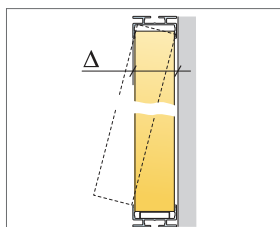


© Ecophon Group

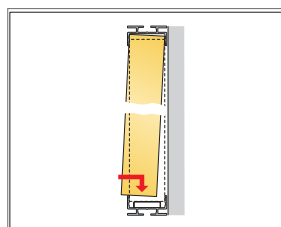
QUANTITY SPECIFICATION (EXCL. WASTAGE)

| | | Size, mm |
|---|---|---------------------|
| | | 2700x600 |
| 1 | Akusto Wall C | 0,62/m ² |
| 2 | Connect Installation screw MVL (for use in plasterboard or timber) | as required |
| 3 | Alt. Connect Fixing bracket, fixed at 400 mm centres. | as required |
| 4 | Connect WP Space bar, L=2400 mm | as required |
| 5 | Connect WP Profile, L=2687 mm, fixed at 400 mm centres | as required |
| 6 | Connect WP External corner mounted in Connect WP Profile | as required |
| 7 | Connect WP Profile splice. used to extend WP profiles where needed. | as required |
| 8 | Connect Spline | as required |
| 9 | Connect Fixing plate, installed at 500 mm centres | as required |

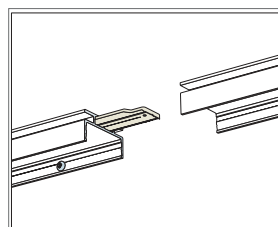
Δ Min. overall depth of system: 44 mm



See Quantity specification



Detail of installation

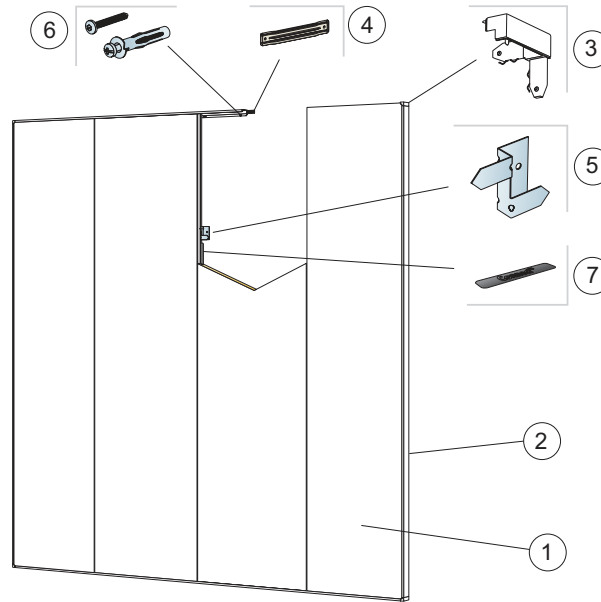


Detail of WP Profile splice

| Size, mm | Max live load [N] | Min load bearing capacity [N] |
|----------|-------------------|-------------------------------|
| 2700x600 | 0 | - |

Live load/load bearing capacity

INSTALLATION DIAGRAM (M356) FOR ECOPHON AKUSTO WALL C VERTICAL INSTALLATION WITH CONNECT THINLINE PROFILES.

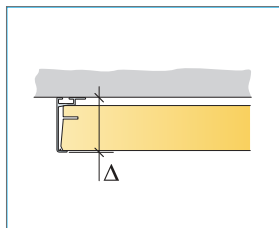


© Ecophon Group

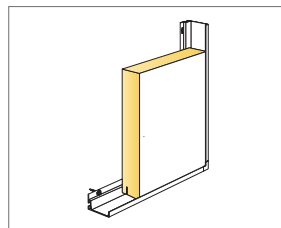
QUANTITY SPECIFICATION (EXCL. WASTAGE)

| | | Size, mm |
|---|--|---------------------|
| | | 2700x600 |
| 1 | Akusto Wall C | 0,62/m ² |
| 2 | Connect Thinline Profile, L=2678 mm | as required |
| 3 | Connect Thinline Corner | as required |
| 4 | Connect Thinline Splice. used to extend Thinline profiles where needed. | as required |
| 5 | Connect Ambit fixing, for panel support every 1000 mm | as required |
| 6 | Installation screw, installed at 200 mm centres (select fastener according to wall material) | as required |
| 7 | Connect Spline | as required |

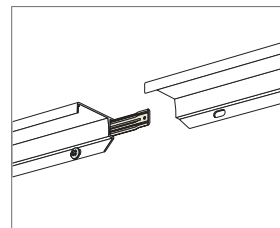
Δ Overall depth of system: 49 mm



See Quantity specification



Detail of panel with Thinline system

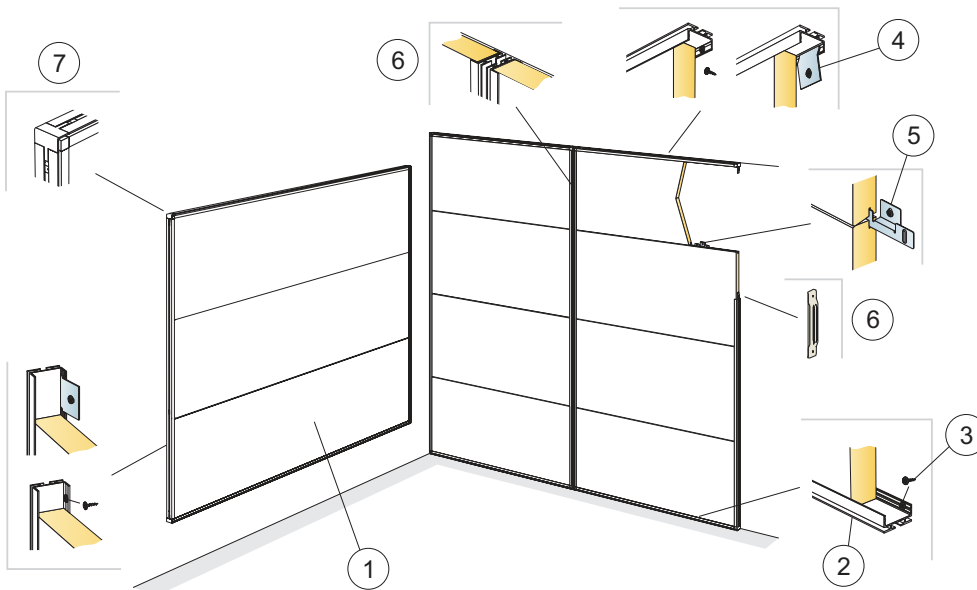


Detail of Thinline splice

| Size, mm | Max live load [N] | Min load bearing capacity [N] |
|----------|-------------------|-------------------------------|
| 2700x600 | 0 | - |

Live load/load bearing capacity

INSTALLATION DIAGRAM (M355) FOR ECOPHON AKUSTO WALL C HORIZONTAL INSTALLATION

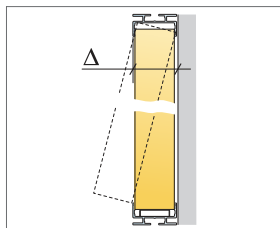


© Ecophon Group

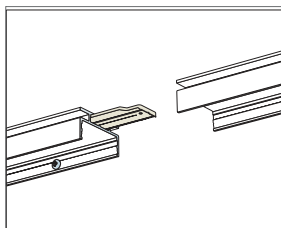
QUANTITY SPECIFICATION (EXCL. WASTAGE)

| | | Size, mm |
|---|---|---------------------|
| | | 2700x600 |
| 1 | Akusto Wall C | 0,62/m ² |
| 2 | Connect WP Profile, L=2687 mm, fixed at 400 mm centres | as required |
| 3 | Connect Installation screw MVL (for use in plasterboard or timber) | as required |
| 4 | Alt. Connect Fixing bracket, fixed at 400 mm centres. | as required |
| 5 | Connect Fixing plate, installed at 500 mm centres | as required |
| 6 | Connect WP Profile splice. used to extend WP profiles where needed. | as required |
| 7 | Connect WP External corner mounted in Connect WP Profile | as required |

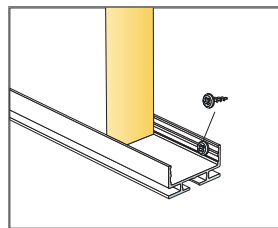
Δ Min. overall depth of system: 44 mm



See Quantity specification



Detail of WP Profile splice

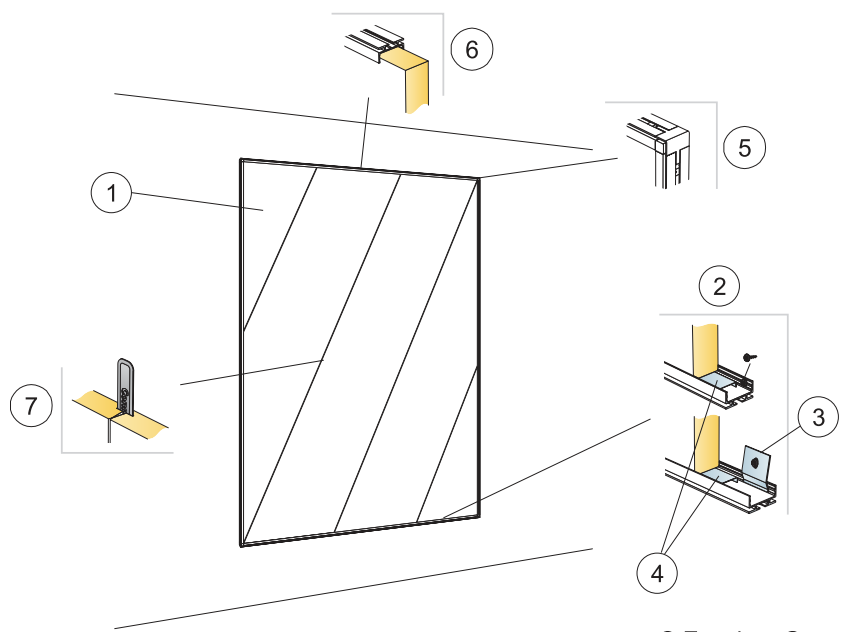


Detail of lower connection

| Size, mm | Max live load [N] | Min load bearing capacity [N] |
|----------|-------------------|-------------------------------|
| 2700x600 | 0 | - |

Live load/load bearing capacity

INSTALLATION DIAGRAM (M235) FOR ECOPHON AKUSTO WALL C DIAGONAL INSTALLATION

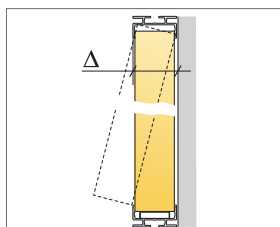


© Ecophon Group

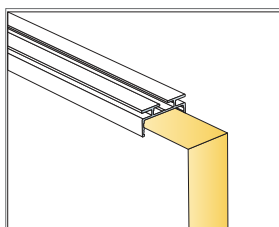
QUANTITY SPECIFICATION (EXCL. WASTAGE)

| | | Size, mm |
|---|--|---------------------|
| | | 2700x600 |
| 1 | Akusto Wall C | 0,62/m ² |
| 2 | Connect WP Profile, L=2687 mm, fixed (alt. with Connect Fixing bracket), at 400 mm centres, with Connect WP Space bar, L=2400 mm | as required |
| 3 | Alt. 1: Connect Fixing bracket, fixed at 400 mm centres. | as required |
| 4 | Connect WP Space bar, L=2400 mm | as required |
| 5 | Connect WP External corner mounted in Connect WP Profile | as required |
| 6 | Connect WP Profile, L=2687 mm, fixed at 400 mm centres | as required |
| 7 | Joint between panels (Connect Spline can be used to secure the panels) | as required |

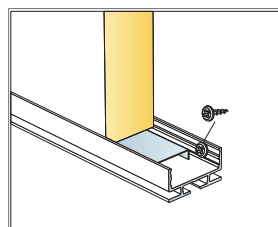
Δ Min. overall depth of system: 44 mm



See Quantity specification



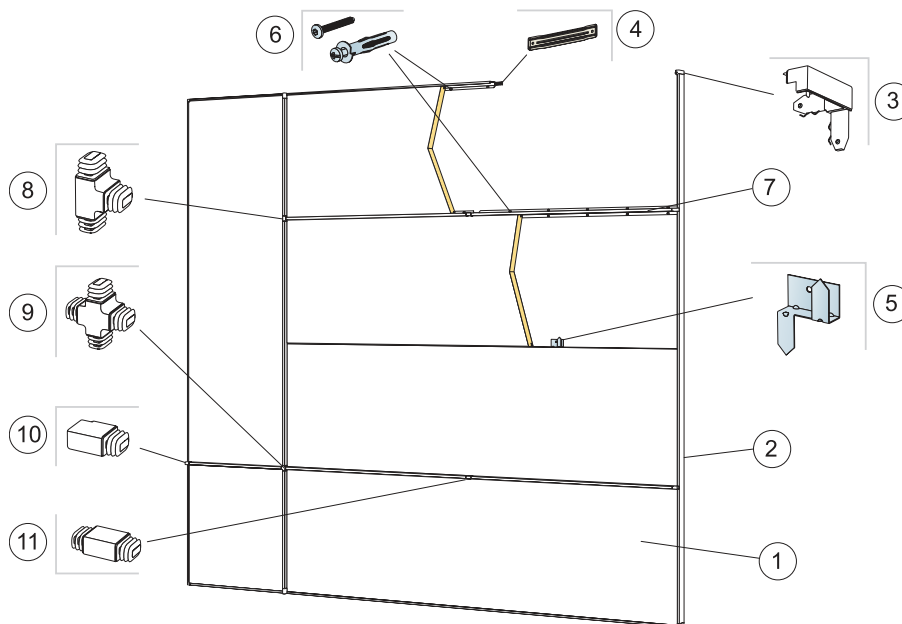
Detail of upper connection



Detail of lower connection

| Size, mm | Max live load [N] | Min load bearing capacity [N] |
|----------|-------------------|-------------------------------|
| 2700x600 | 0 | - |

Live load/load bearing capacity

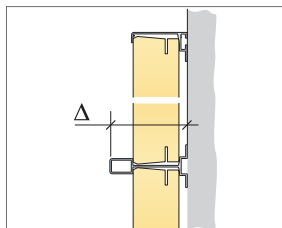


© Ecophon Group

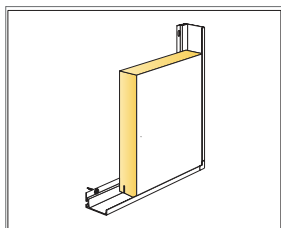
QUANTITY SPECIFICATION (EXCL. WASTAGE)

| | | Size, mm |
|----|--|---------------------|
| | | 2700x600 |
| 1 | Akusto Wall C | 0,62/m ² |
| 2 | Connect Thinline Profile, L=2678 mm | as required |
| 3 | Connect Thinline Corner | as required |
| 4 | Connect Thinline Splice, used to extend Thinline profiles where needed. | as required |
| 5 | Connect Ambit fixing, for panel support every 1000 mm | as required |
| 6 | Installation screw, installed at 200 mm centres (select fastener according to wall material) | as required |
| 7 | Connect Structure profile, used to highlight or divide into patterns (optional), L=2700 mm | as required |
| 8 | Connect Structure T-junction, used to create a meeting between 3 structure profiles (optional) | as required |
| 9 | Connect Structure X-junction, used to create a meeting between 4 structure profiles (optional) | as required |
| 10 | Connect Structure ending, used at the ends of the Structure profiles (optional) | as required |
| 11 | Connect Structure I-junction, used to extend Structure profiles (optional) | as required |

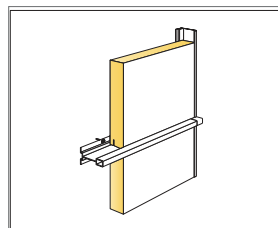
Δ Overall depth of system: 67 mm



See Quantity specification



Detail of panel with Thinline system



Detail of panel with Structure profile

| Size, mm | Max live load [N] | Min load bearing capacity [N] |
|----------|-------------------|-------------------------------|
| 2700x600 | 0 | - |

Live load/load bearing capacity