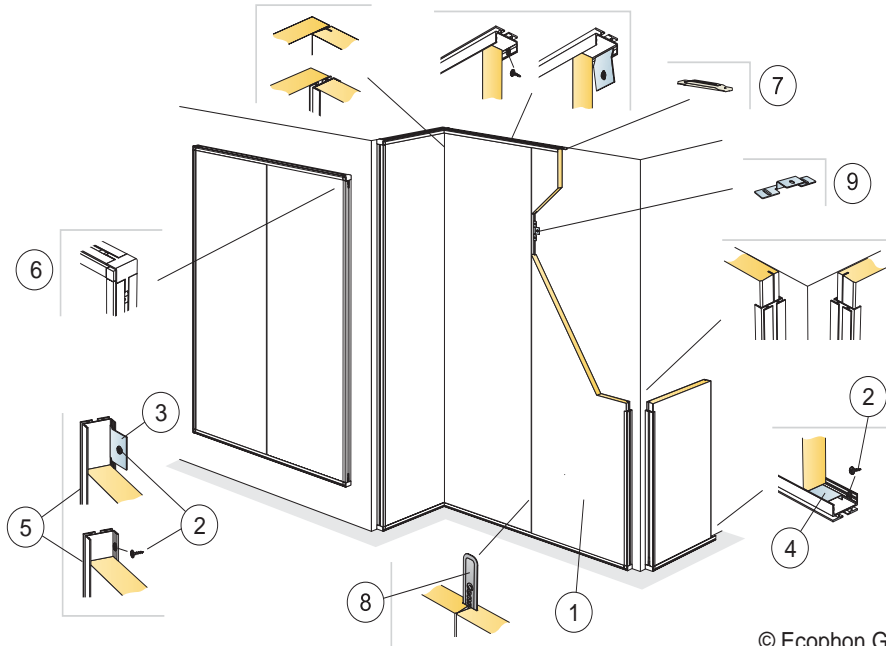


Ecophon Akusto Wall C

2700x600

M354



© Ecophon Group

1. Ecophon Akusto Wall C

2. Connect Installation screw MVL

3. Alt. Connect Fixing bracket

4. Connect WP Space bar, L=2400

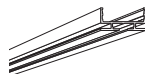
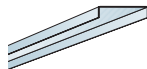
5. Connect WP Profile, L=2687

6. Connect WP External corner

7. Connect WP profile splice

8. Connect Spline

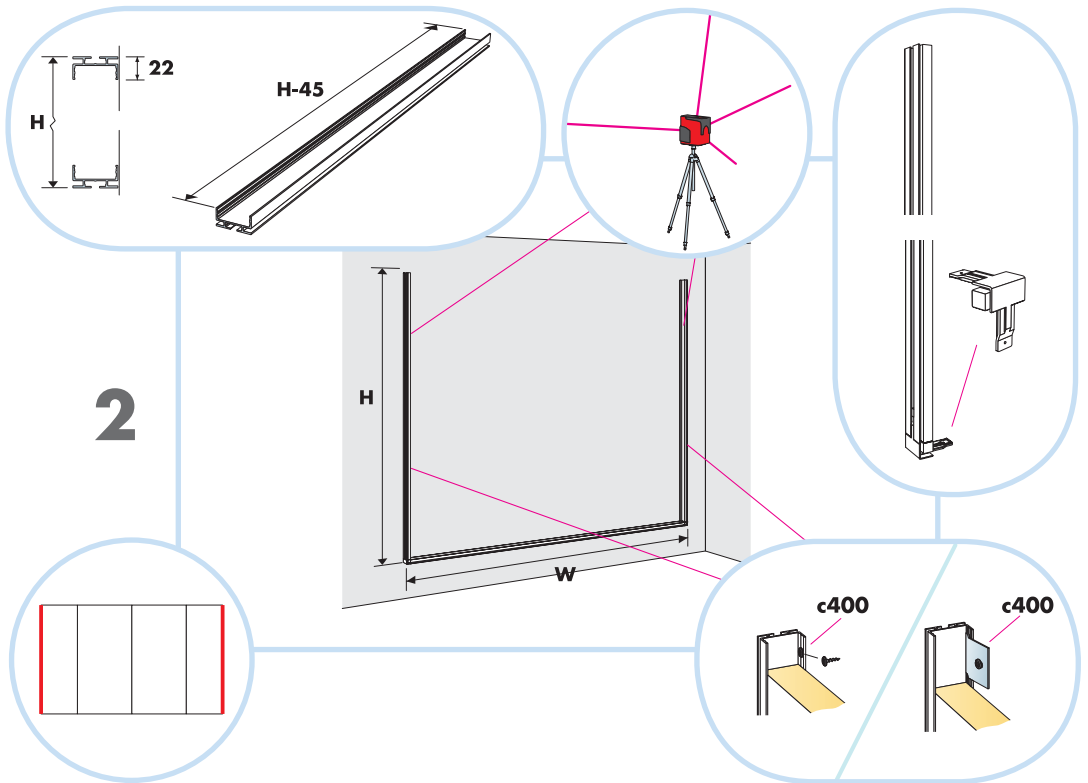
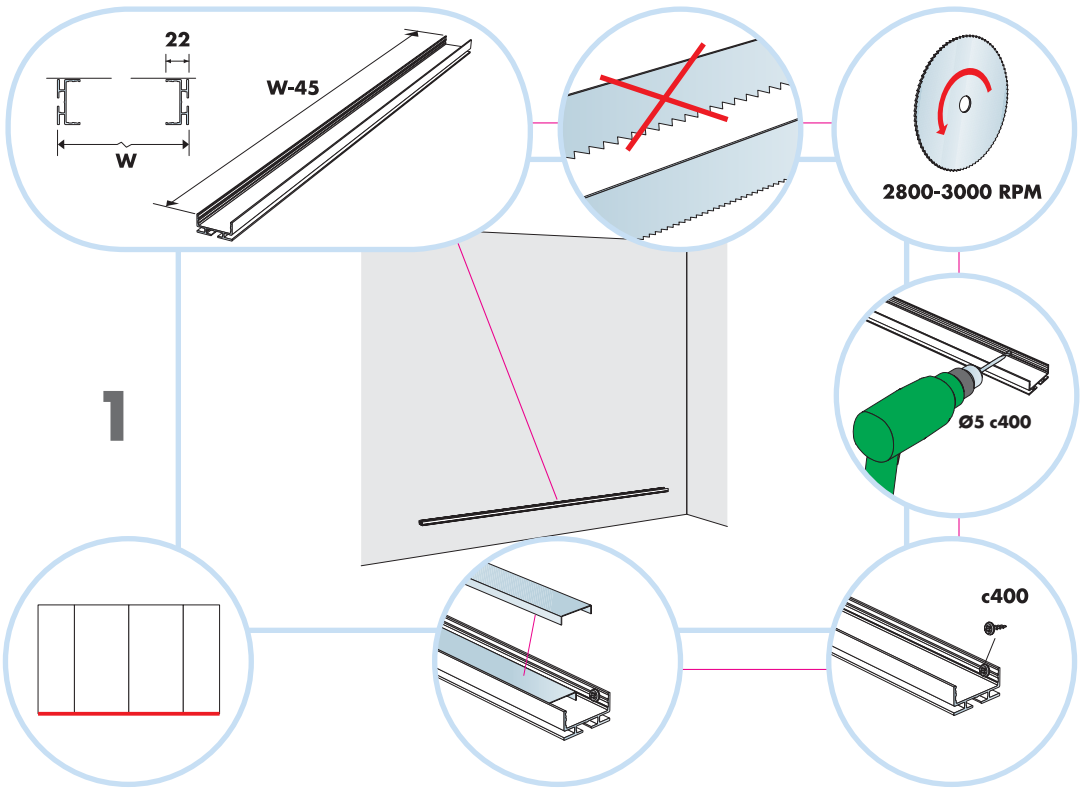
9. Connect Fixing plate

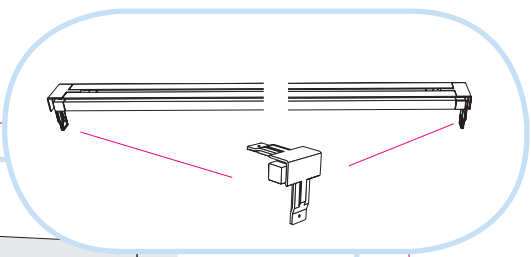
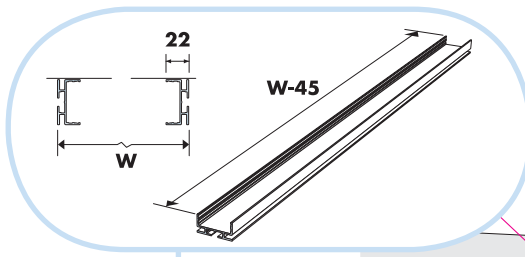


Ecophon[®]
SAINT-GOBAIN

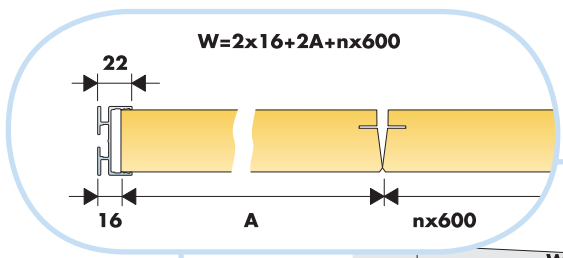
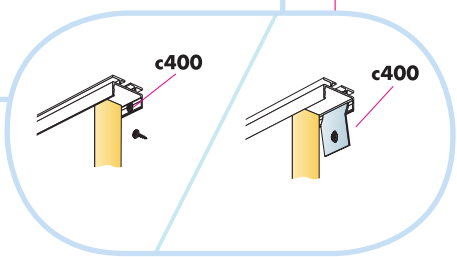
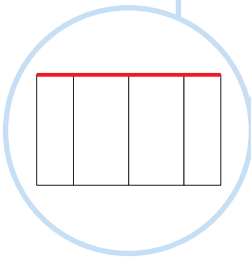
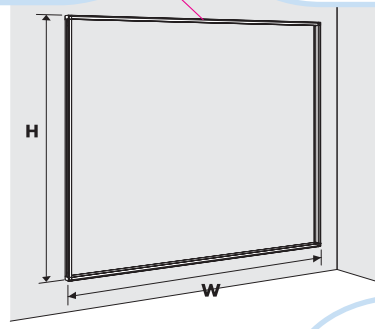
A SOUND EFFECT ON PEOPLE

www.ecophon.com

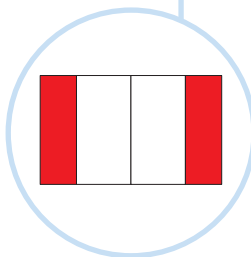
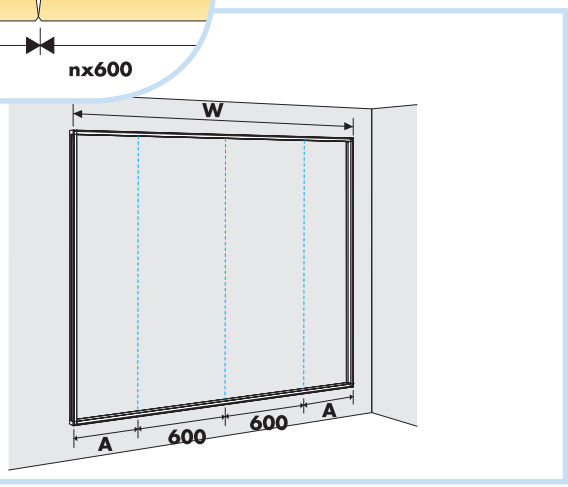


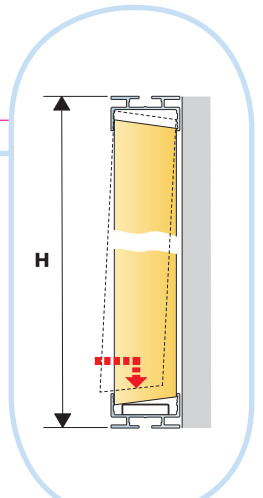
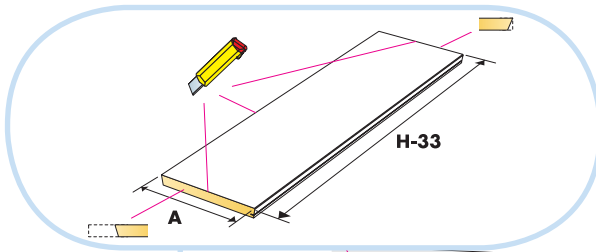


3

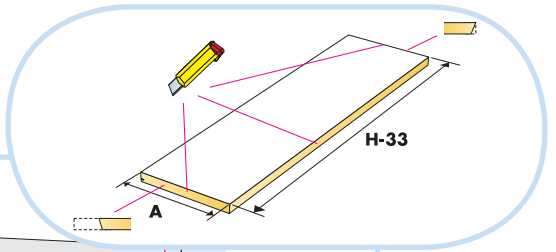
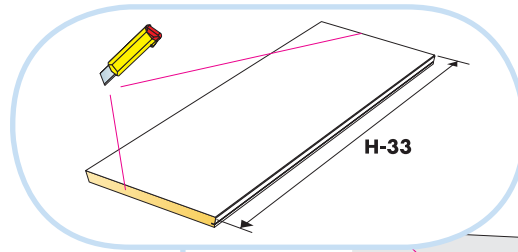
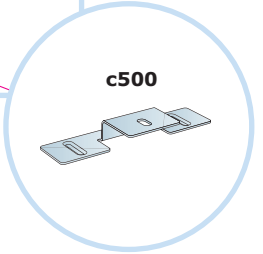
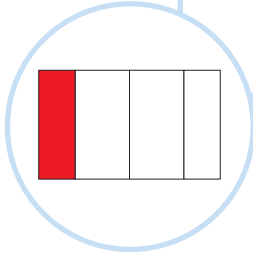
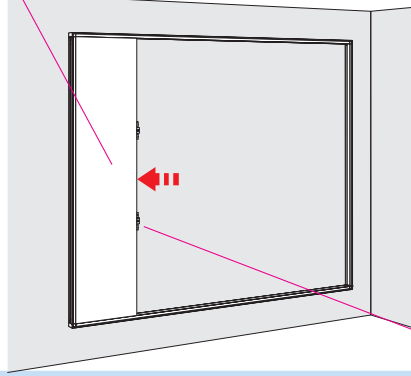


4

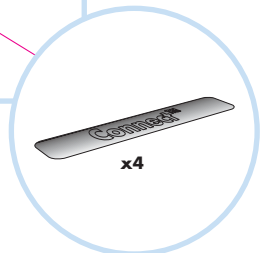
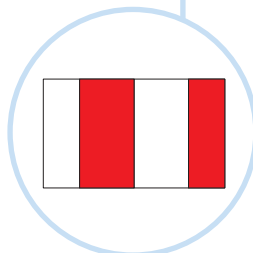
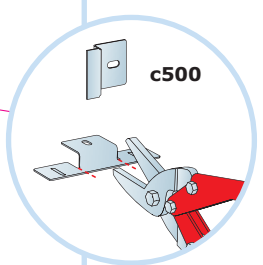
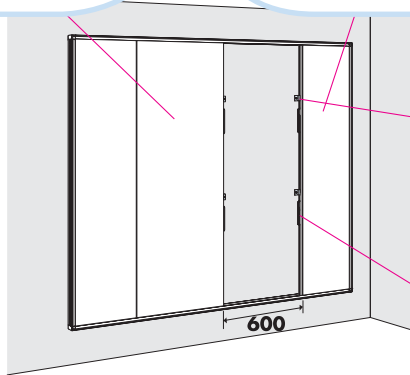


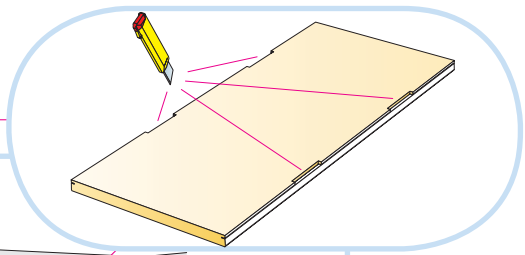
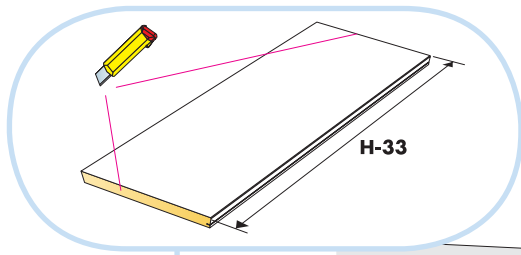


5

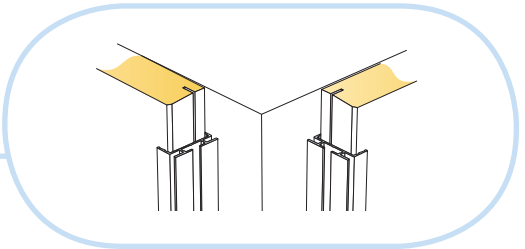
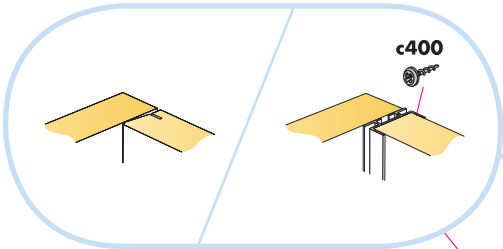
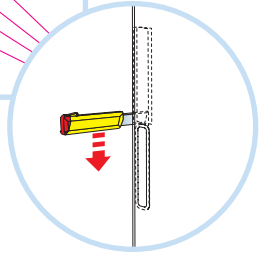
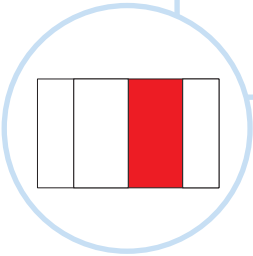
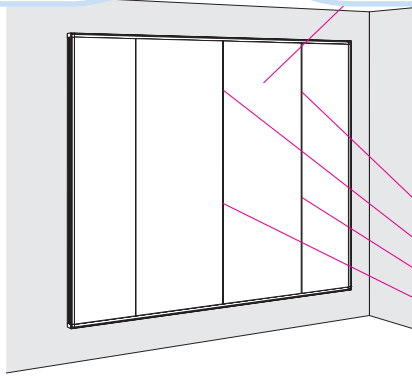


6

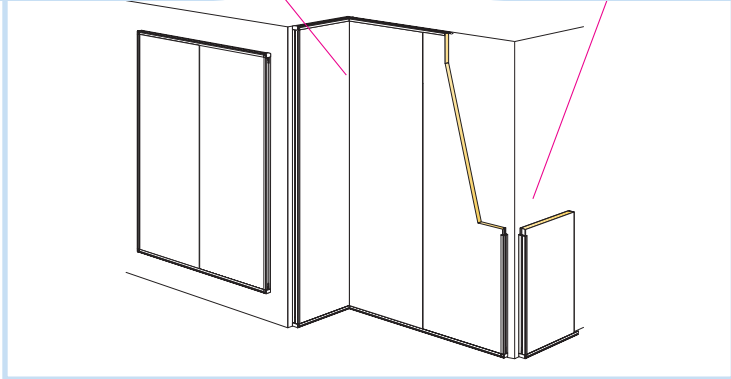


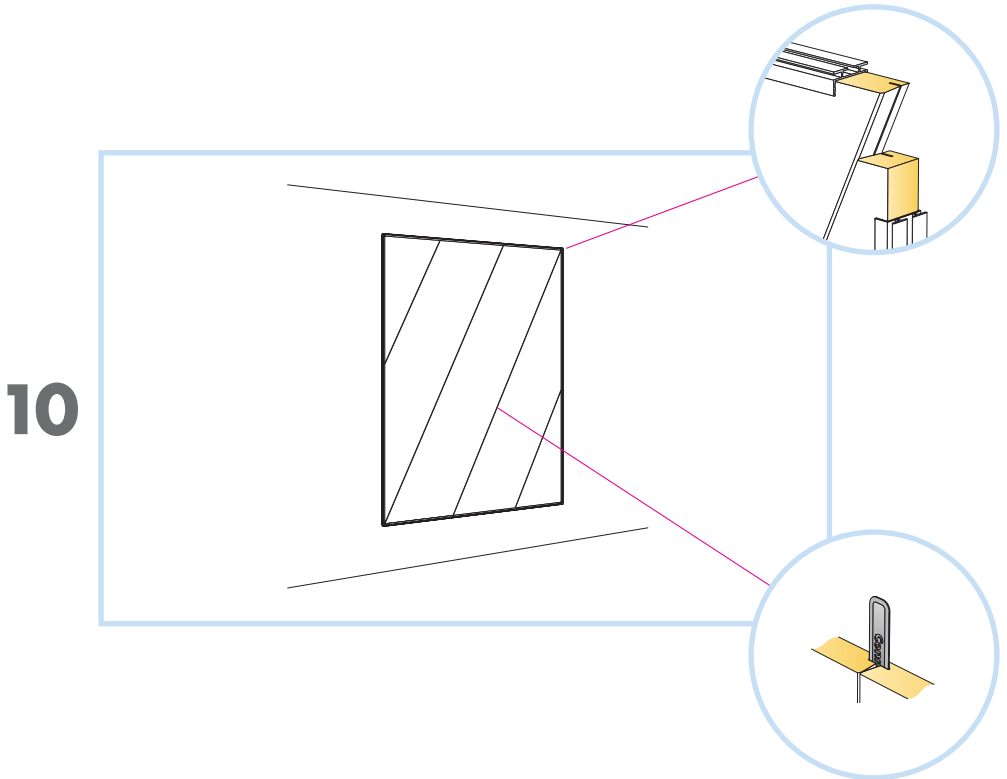
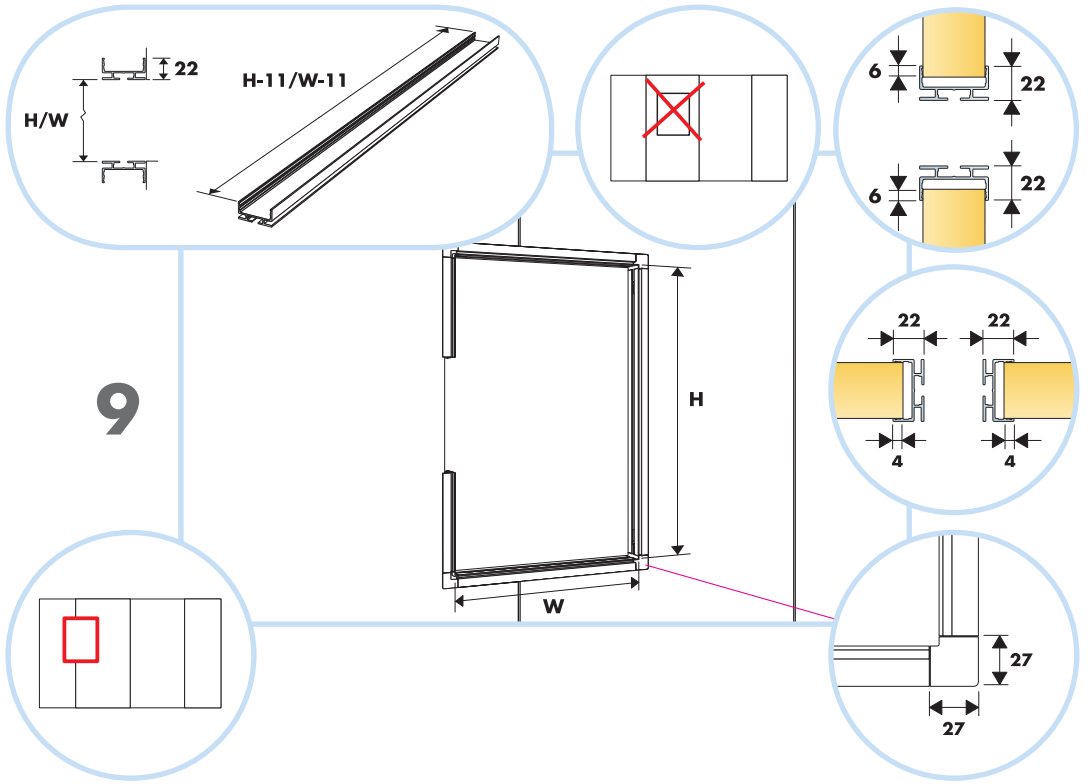


7



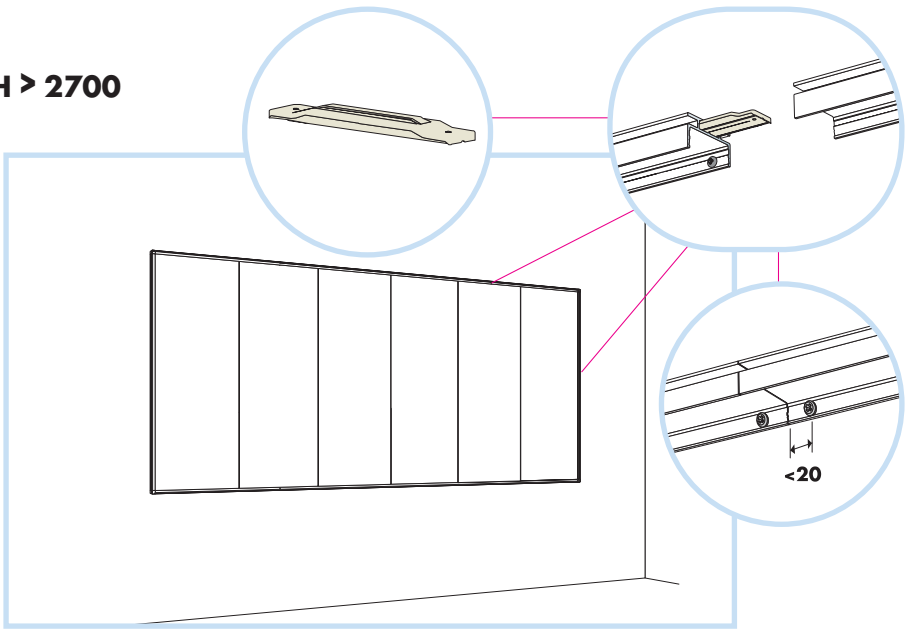
8





W/H > 2700

11



Impact
Resistance

12

