

Ecophon Akusto™ Wall A

For use as wall absorbers together with a sound absorbing ceiling, to achieve excellent acoustic properties in the room. Ecophon Akusto™ Wall A has an exposed profile system.

The systems consist of Ecophon Akusto™ Wall A panels and Connect™ profile systems, with an approximate weight of 4 kg/m². The panels are manufactured from high density glass wool. The visible surface has a glass fibre fabric (Texona) or an impact resistant glass fibre fabric (Super G™), and is also available with a painted surface (Akutex™ FT). The back of the panel is covered with glass tissue. The edges are natural.

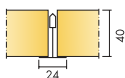
The Texona gamma version offers a reflecting surface, see absorption diagram.

For best performance and system quality, use Connect™ grid and accessories. The profiles are manufactured from galvanized steel (Connect™ Channel trim) or aluminum (Connect™ Thinline).



Lielāhīkesskolas, Tampere, Finland

SYSTEM RANGE



Size, mm	2700x1200
Thinline Profile	•
WP Profile	•
Thickness (THK)	40
Inst. Diag.	M353, M304



Akusto Wall A



Akusto Wall A system with Connect Channel trim and Connect T24 Main



Akusto Wall A system with Connect Channel trim and Connect Recessed



Akusto Wall system with Connect Thinline profiles

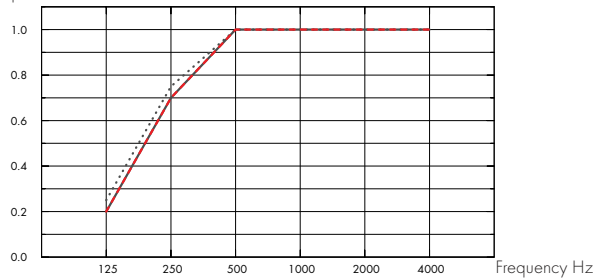


Acoustic

Sound Absorption:

Test results according to EN ISO 354. Classification according to EN ISO 11654, and the single value ratings for Noise Reduction Coefficient, NRC and Sound Absorption Average, SAA according to ASTM C 423.

α_p Practical sound absorption coefficient



... Akusto Wall A Akutex FT 40 mm, 50 mm o.d.s.

– Akusto Wall A Texona 40 mm, 50 mm o.d.s.

--- Akusto Wall A Super G 40 mm, 50 mm o.d.s.

o.d.s = overall depth of system

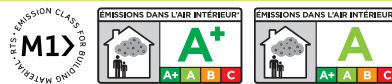
	THK mm	o.d.s. mm	α_p Practical sound absorption coefficient						α_w	Sound absorption class
			125 Hz	250 Hz	500 Hz	1000 Hz	2000 Hz	4000 Hz		
Akutex FT	40	50	0.25	0.75	1.00	1.00	1.00	1.00	1.00	A
Texona	40	50	0.20	0.70	1.00	1.00	1.00	1.00	1.00	A
Super G	40	50	0.20	0.70	1.00	1.00	1.00	1.00	1.00	A

THK mm	AC(1.5) Articulation Class, ASTM E1111, ASTM E1110
40	230



Indoor Air Quality

Certificate / Label	Akutex FT	Super G	Texona
French VOC, A+	•		•
French VOC, A		•	
Finnish M1	•	•	•



Circularity

Fully recyclable.



Fire safety

Country	Standard	Class
Europe	EN 13501-1	A2-s1,d0

The glass wool core of the tiles is tested and classified as non-combustible according to EN ISO 1182.



Humidity Resistance

Class A, relative humidity 70% and 25°C, according to EN 13964:2014



Visual appearance

Akusto Wall in white has high light reflectance. Light reflectance and nearest NCS colour sample for all the different colours: See Ecophon Colours and surfaces.



Cleanability

Daily dusting, vacuum cleaning and weekly wet wiping (Super G and Akutex FT surfaces). Weekly dusting and vacuum cleaning (Texona surface).



Accessibility

The tiles are not demountable except in selected installation diagrams. See quantity specification for more information.



Installation

Installed according to installation diagrams, installation guides and drawing aid. For information regarding minimum overall depth of system see quantity specification. The systems should not be placed behind goals or similar areas where they frequently will be hit by hard ball shots. In such cases a protective net in front of the system is recommended.



Mechanical properties

No additional live load is allowed.



Impact Resistance

Surface	M-sketch	Class
Super G	M353	Fulfills

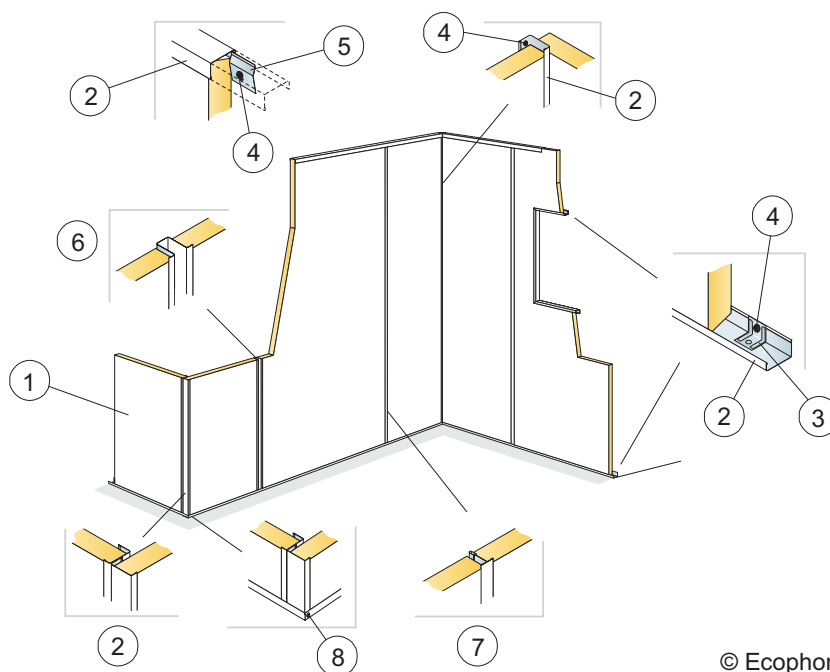
Tested and classified according to EN 13964 annex D and fulfills the demands corresponding to DIN 18032 part 3. Texona surface has moderate impact resistance. Please note: Where the panels are subjected to frequent blows and impacts e.g. behind goal mouths, protection in form of e.g. restraining nets or wooden slats is required.



CE

Ecophon ceiling systems are CE marked according to the European harmonized standard EN13964:2014. CE marked construction products are covered by a Declaration of Performance (DOP) which enables customers and users to easily compare performance of products available on the European market.

INSTALLATION DIAGRAM (M353) FOR ECOPHON AKUSTO WALL A

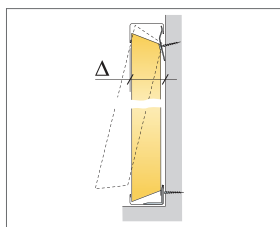


© Ecophon Group

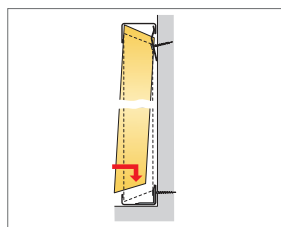
QUANTITY SPECIFICATION (EXCL. WASTAGE)

		Size, mm
		2700x1200
1	Ecophon Akusto Wall A	0,31/m ²
2	Connect Channel trim, fixed at 300 mm centres. Connect Direct fixing plate is placed inside at each fixing point if the panel is not supported by the floor.	as required
3	Connect Direct fixing plate	as required
4	Connect Installation screw MVL (for use in plasterboard or timber)	as required
5	Connect Fixing bracket, fixed at 400 mm centres.	as required
6	Alt.1 Connect Recessed profile, (Installation: kept in position with the Channel trims)	as required
7	Alt.2 Connect T24 Main runner, not used in a impact resistant installation, (Installation: kept in position with the Channel trims)	as required
8	Connect Installation screw BR	as required
Δ Min. overall depth of system: 44 mm		

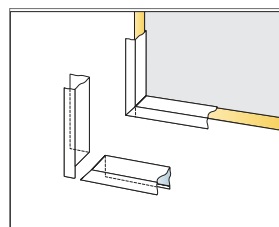
For impact resistant installations: Use HD profiles and secure with additional Connect Installation screw BR where needed.



See Quantity specification



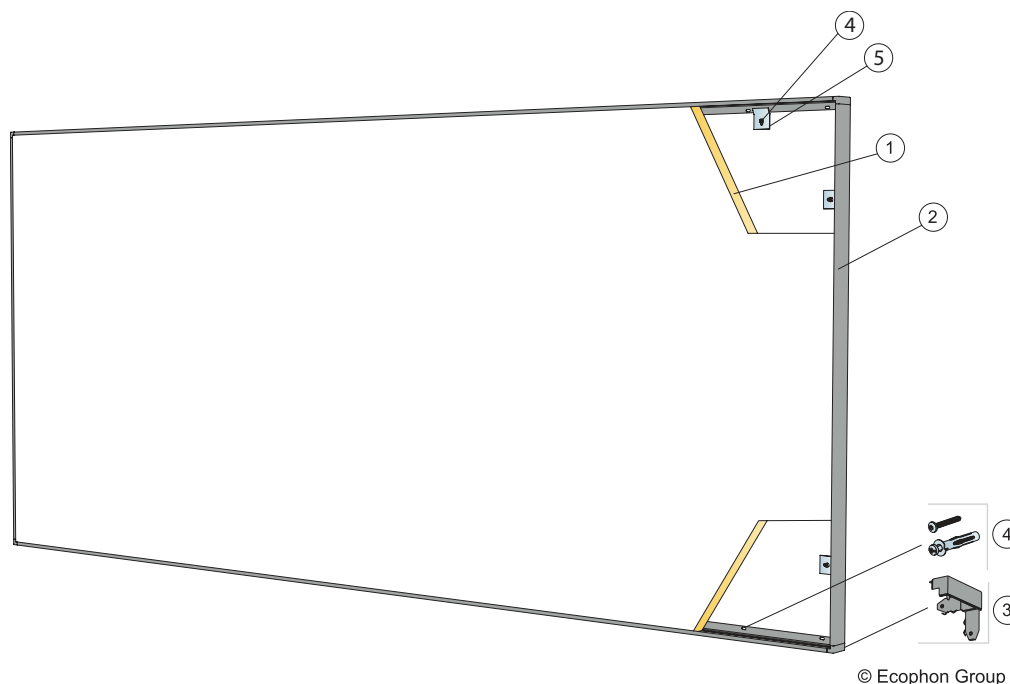
Detail of installation



Cutting of channel trim for internal corner

Size, mm	Max live load [N]	Min load bearing capacity [N]
2700x1200	0	-

Live load/load bearing capacity

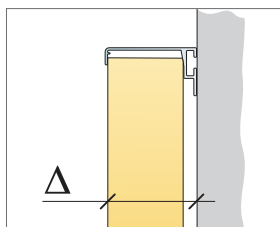


QUANTITY SPECIFICATION (EXCL. WASTAGE)

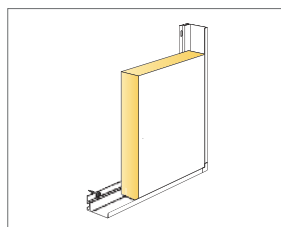
		Size, mm
		2700x1200
1	Ecophon Akusto Wall A	0,31/m ²
2	Connect Thinline Profile, L=2678 mm	as required
3	Connect Thinline Corner	as required
4	Alt. 1: Installation screw, (select fastener according to wall material)	as required
5	Alt. 1: Connect Fixing bracket, fixed at 400 mm centres.	as required
6	Alt. 2: Installation screw, installed at 200 mm centres (select fastener according to wall material)	as required

Δ Min. overall depth of system: 49 mm

Alt. 1: Max size of panel 1,45 m².



See Quantity Specification



Detail of panel with Thinline frame



Size, mm	Max live load [N]	Min load bearing capacity [N]
2700x1200	0	-

Live load/load bearing capacity